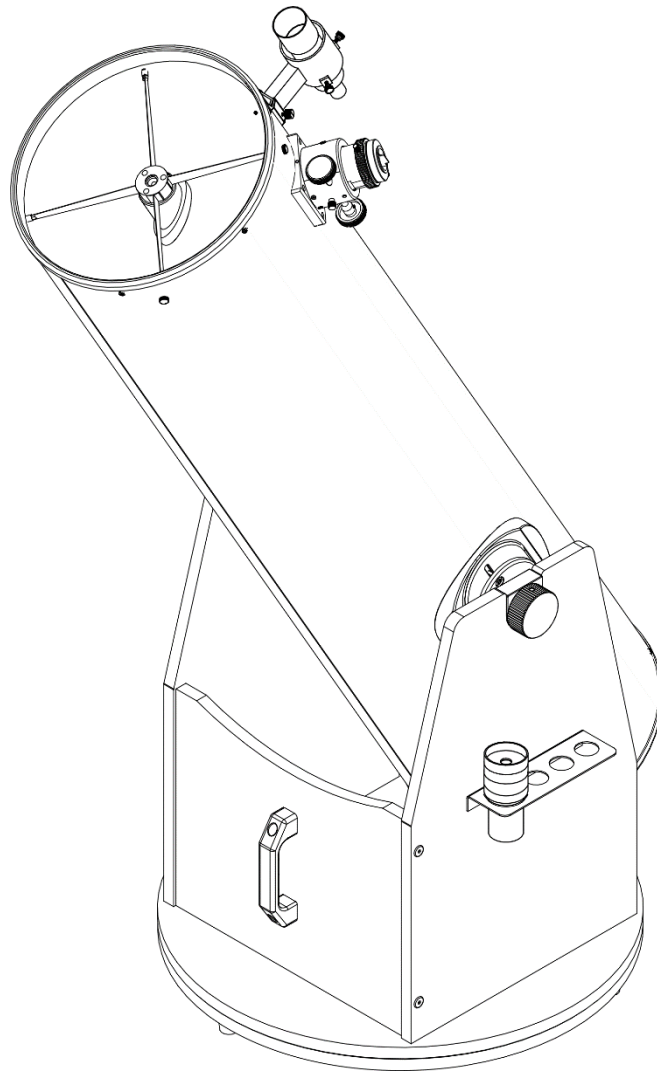


Instruction Manual

omegon



Omegon® Pro Dobson 203/1200 DOB

Omegon® Pro Dobson 254/1250 DOB

Omegon® Pro Dobson 304/1500 DOB

English version 02.2019 Rev.B Art-Nr. 54680, 54681, 54683, 54684

Any form of reproduction of the entire contents of this document or parts thereof beyond the private use is strictly prohibited.
Subject to alterations and errors. All texts, illustrations and symbols are the property of nimax GmbH.

The Omegon® Pro Dob Series

Congratulations on the purchase of one of the new Omegon® Pro Dob Series telescope. This telescope will give you hours of fun, with its optical precision polished mirrors and huge light gathering capability; it is the ideal companion for the intermediate and advanced amateur. It's simple design and optical quality makes the Pro Dob one of the most exciting Dobson telescopes you will ever find in the market.

1. What's included? The telescope is shipped in two boxes. The tube box and the base box. To keep box volume to a minimum, the base is supplied disassembled. To assemble the base you only need a screw driver (Philips-type) – not supplied. Assembly takes about 20 minutes and all supplied parts and ware are easily put together. Below you can see the included base parts and ware. Please take a few minutes to familiarize yourself with it.

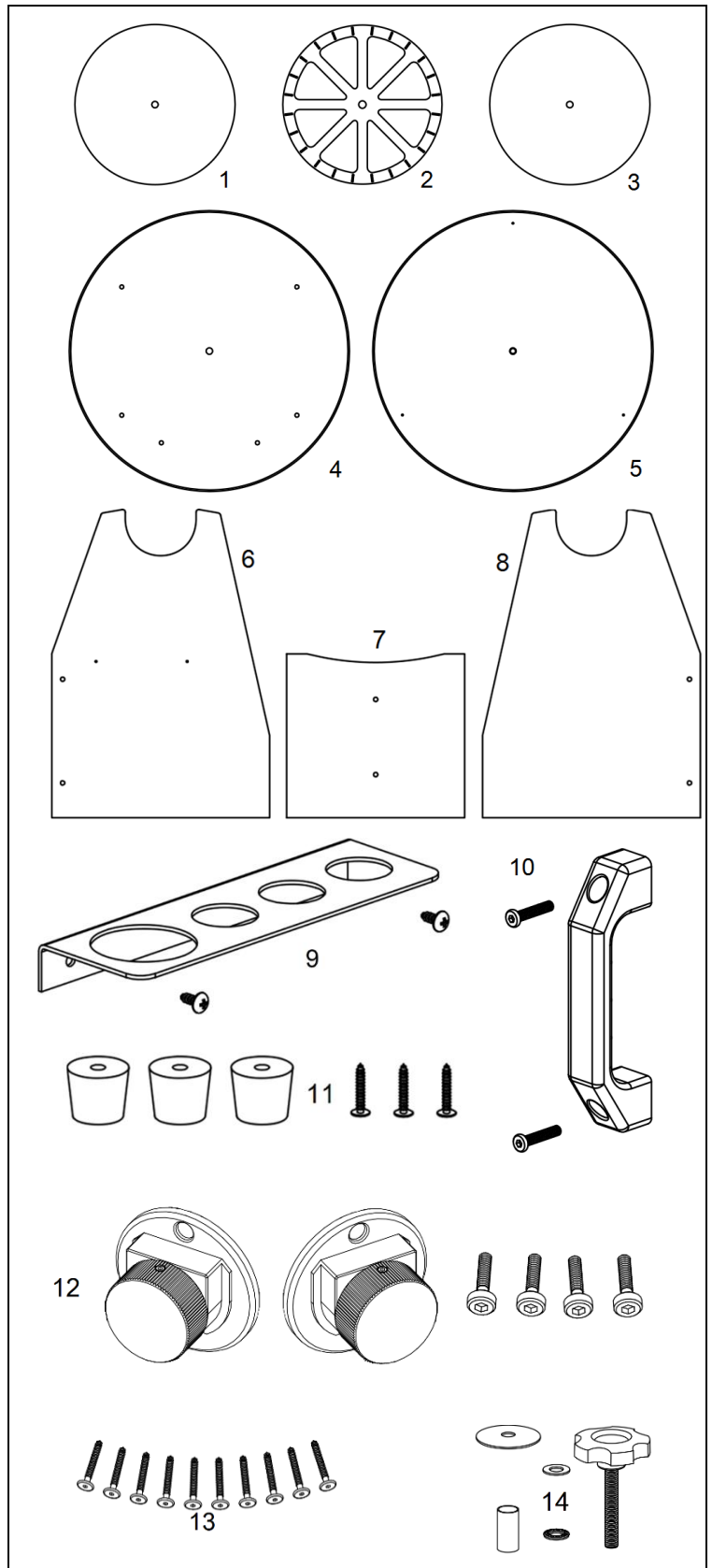
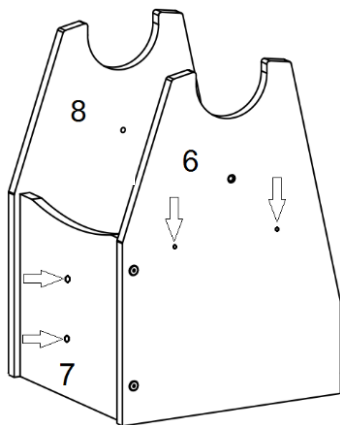
Telescope base parts

- | | |
|------------------------------|----------------------------|
| 1,2 & 3. Needle bearing kit; | 9. Eyepiece rack & screws; |
| 4. Disc (top); | 10. Handle & screw; |
| 5. Disc (bottom); | 11. Feet & screws; |
| 6. Side panel (right); | 12. Side friction kit; |
| 7. Front panel; | 13. Wood screws; |
| 8. Side panel (left); | 14. Azimuth friction kit. |

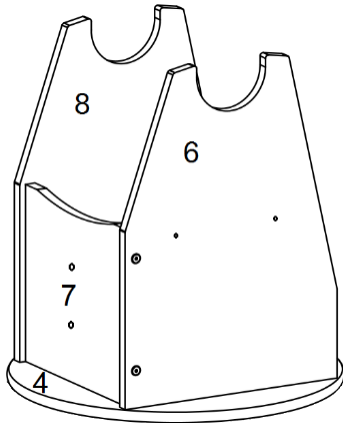
2. Assembling the telescope base. The telescope base is shipped in a flat cardboard box. Please provide a clean and flat surface where you can lay the parts and enough space to assemble it.

2.1. Step 1 - Assembling the side and front panels.

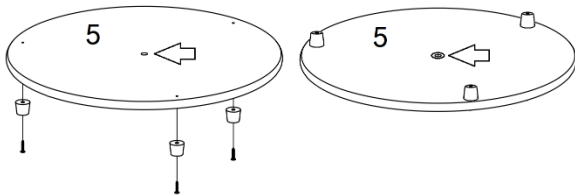
Identify parts #6, #7 and #8. Used the supplied Allen wrench and 4x of the wood screws #13. Please notice that the side panels #6 and #7 are slightly different. Panel #6 has two additional holes to fix the eyepiece rack #9. The frontal panel #7 has two sides. Make sure that the metal washers are not visible from the outside. When Step 1 is finished make sure that the side panel (right) #6 is on the right side of this assembly and the front panel washer (plated) do not show to the outside - marked with arrows - below.



2.2. Step 2 – Fixing the Disc (top). Please use another 6x wood screws #13. Use the Allen wrench to tighten the screws. Please notice that the Disc (top) #4 has two sides. A side with circles cut in the wood's surface to hide the screw heads. Tighten the screws from this side.



2.3. Step 3 – Setting the feet to the Disc (bottom). Before proceeding with the assembly, set the 3x feet and screws #11 to the Disc (bottom) #5. Make sure to fix the feet to the side where the metal nut is flush to the disc's surface (arrow below). It is important to identify and fix the feet to the correct side.



2.4. Step 4 – Preparing the needle bearing kit #1, 2 & 3. Please make a "sandwich" with the two metal discs and the needle bearing as shown below. This "sandwich" should be set between the assembly in 2.2. and 2.3 as shown in the next step.

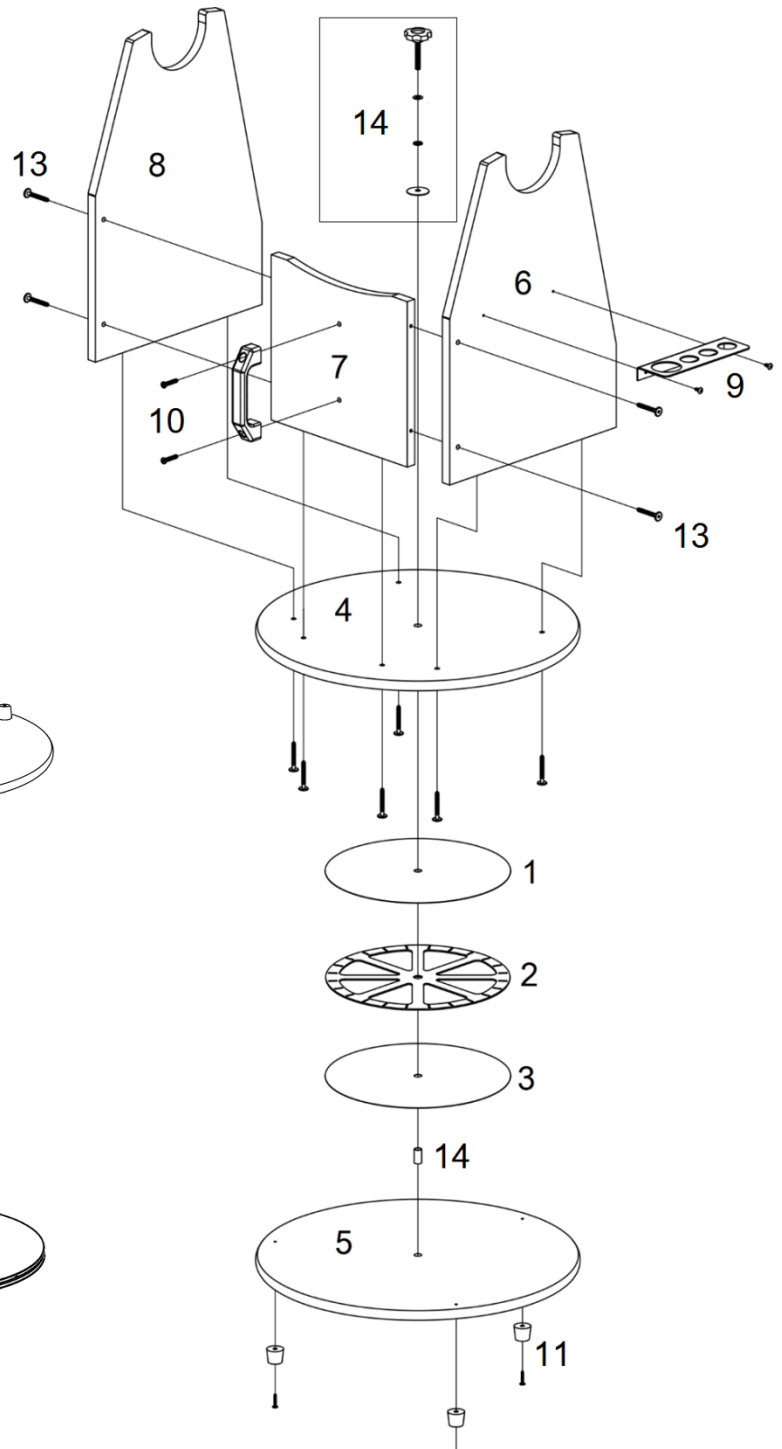
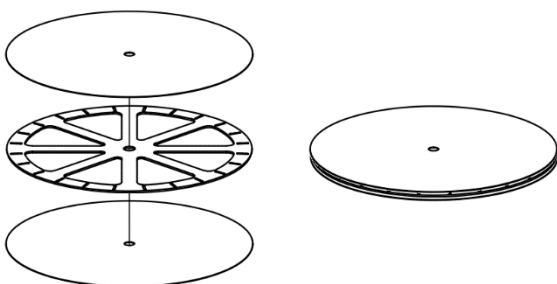
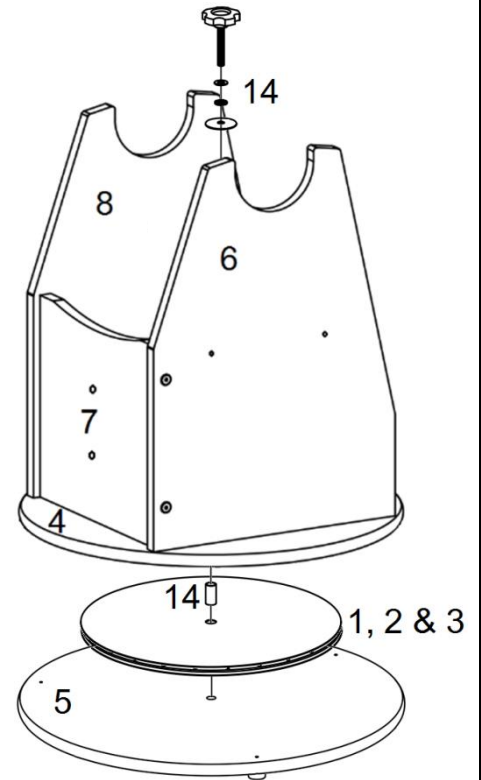
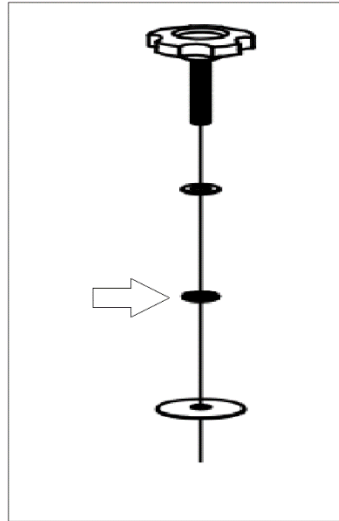


Figure 1. Exploded view of the complete assembly.

Solar Warning! Do not point the telescope to the Sun, concentrated light will cause irreversible eye damage and even blindness!

2.5. Step 5 – Fixing the Disc (bottom) #5 to the pre-assembled wood parts and needle bearing. Please proceed as shown making sure that the ball bearing sits between the two supplied washers – arrow on the image. The handknob allows to adjust pressure to the needle bearing increasing/decreasing friction.

Did you know? The Hand knob adjusts the friction of the azimuth movement. The unique design of the needle bearing system on the azimuth axis creates a butter smooth azimuth movement. If you feel, however, that the movement is too smooth, just give a quarter of turn and tighten the central hand knob. This will visibly increase the friction making the movement stiffer. If on the contrary the movement is too stiff, release the hand knob for a smoother movement.



2.6. Step 6 – Setting the Handle #10 and eyepiece rack #9.

Use the supplied screws to fix both the Handle and eyepiece rack as shown in figure 1 and figure 2.

The one time assembly of the telescope base is now completed. It can be easily carried with one hand using the handle. The eyepiece rack can be used to store eyepieces and Barlow (not included) during observations.

The optical tube is the other main part of this telescope. It already comes pre-assembled (except the side friction kit #12). Depending on the weight of eyepiece, Barlow or finderscope the tube may tilt to the front or the back during observation. To avoid this inconvenient problem we have included a unique side friction kit #12 that allows to increase the friction. Please look at the main features of the optical tube and how to assemble the side friction kit #12.

3. The optical tube. Please look at the main features of the optical tube in the figure below.

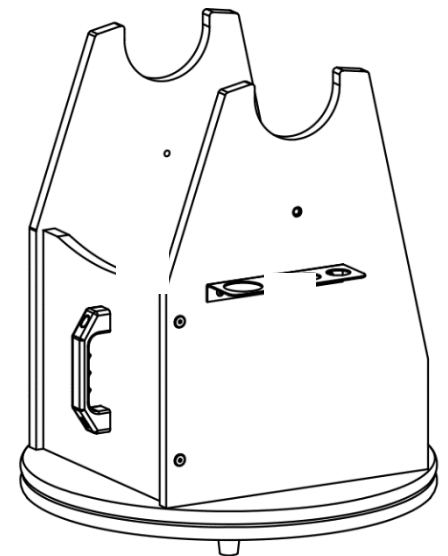
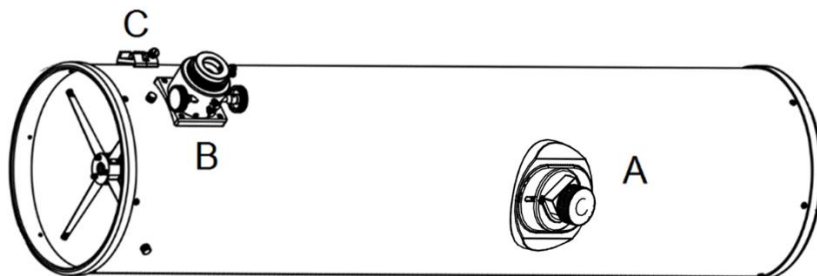


Figure 2.

Optical tube features A – Side bearing B – Focuser C – Finderscope base



A dust cap for the front aperture and for the focuser are also included. Please make sure to use it to protect the telescope from dust and humidity. The telescope should always be stored in a clean and dry place.

3.1. Installing the optical tube to the telescope base.

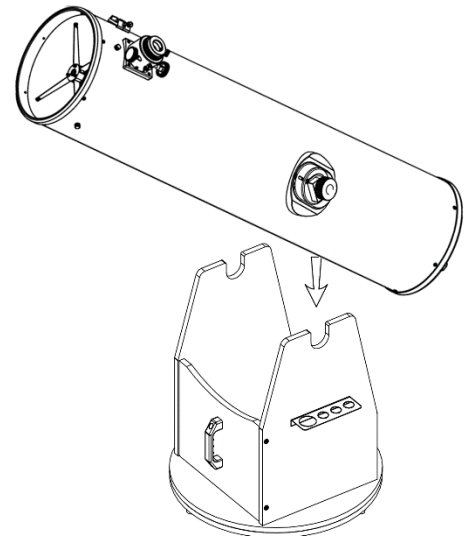
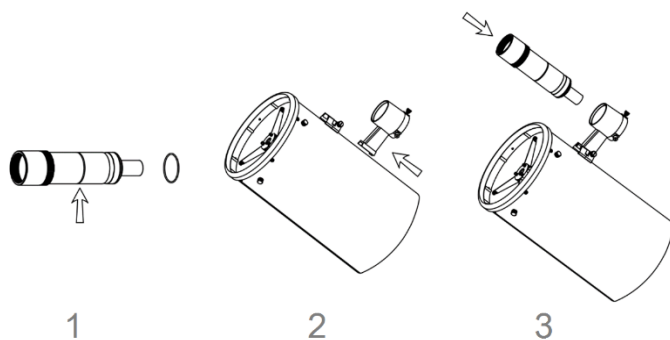
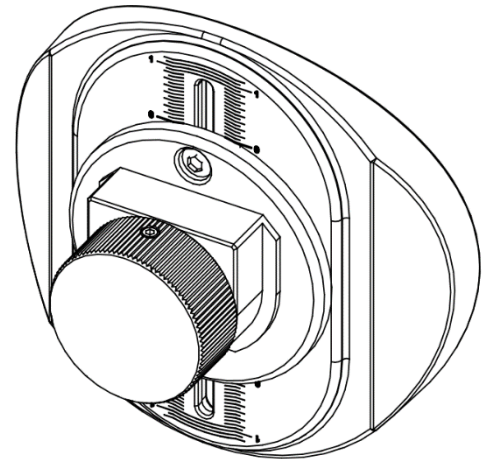
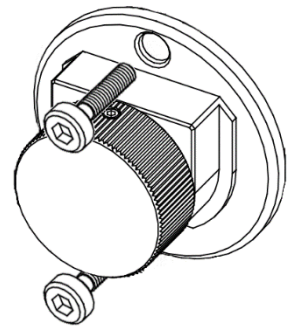
The tube fits to the assembled base as shown. For convenient transportation, both tube and base should set apart after each observation.

3.2. Installing the side friction kit to the bearing. To increase the friction on the tube bearings, a tension and sliding system is used. As previously mentioned, this avoids the inconvenient tilt of unbalanced telescope tubes. Please identify the different components and assemble it as shown. Fix both Side friction kit #12 to the telescope bearings. Use the supplied Allen wrench. The side bearing has different marks, make sure both sides indicate the same marks. Slide to adjust balance to the accessories' weight.

3.3. Balancing the telescope. Install the finderscope and eyepiece. If the telescope tube tilts (to the front or the back), release the side friction kit and slide it in the direction of the unbalancing.

How to adjust the friction? Tighten or release the hand knobs to adjust friction. For heavy finderscopes or eyepieces, you may want to slide the side friction kit to a better position. Remember to always make this adjustment on both sides of the telescope tube using the same marks.

3.4. Installing the Finderscope. Start by sliding the supplied O-ring to the tube mark (arrow below). Next, slide the finderscope bracket and use the thumbscrew to tighten it in place. The finderscope tube can be fitted to the finderscope bracket. Make sure that the adjustment screws sit on the finderscope tube recess and the O-Ring on the front.



Specifications

	Pro Dob 203/1200	Pro Dob 254/1250	Pro Dob 304/1500
Aperture	203mm	254mm	304mm
Focal length	1200mm	1250mm	1500mm
Focal ratio	f/6	F/4.9	F/4.9
Focuser	Crayford 2"/1.25" adapter	Crayford 2"/1.25" adapter	Crayford 2"/1.25" adapter
Eyepiece rack	yes	yes	yes
Eyepiece	SWA 32mm	SWA 32mm	SWA 32mm
Finderscope	LED Deluxe	LED Deluxe	LED Deluxe

Some models may be supplied without focuser, eyepiece and finderscope. Please refer to the exact model in our website.

Any form of reproduction of the entire contents of this document or parts thereof beyond the private use is strictly prohibited.
Subject to alterations and errors. All texts, illustrations and symbols are the property of nimax GmbH.