

MAGUS STEREO 7B STEREOMICROSCOPE  
USER MANUAL



# MAGUS





Before using the microscope, please read this user manual carefully to study the instrument design, operation modes and procedures, operational limitations, and safety precautions.

Due to the continuous improvements in the microscope design, this manual may not reflect minor design changes that do not affect the microscope performance and operation procedures.

## SAFETY PRECAUTIONS

1. To avoid electric shock or fire, switch off and unplug the microscope before assembling the microscope, replacing the bulb or fuse.
2. Do not disassemble the microscope, except for the removable parts specified in this manual. This can seriously damage its performance. In case of malfunction, please contact a qualified service center.
3. Make sure that the input voltage of the microscope matches that of the local power supply. Using the power supply with the wrong input voltage may cause a short circuit or fire.
4. Using an incorrect bulb, fuse, or power cord may damage the microscope or cause a fire. The power cord must be grounded reliably.
5. In order to avoid a short circuit or any other malfunction, do not expose the microscope to high temperatures or humid or moist environments for a long period of time.
6. If water splashes on the microscope, immediately switch the power off, unplug the power cord, and wipe off the water with a dry cloth.
7. The microscope light bulb generates high temperatures during operation. To avoid burns, do not touch the bulb for 10 minutes after the lights have been switched off. To prevent fire, do not place paper or flammable or explosive materials near the air vents on the underside of the base.
8. The microscope employs a coaxial coarse focusing mechanism. Do not turn the left/right coarse focusing knobs in opposite directions. When the limit is reached, you should no longer rotate the coarse focusing knob.
9. Do not expose the microscope to direct sunlight or other light sources. Do not expose the microscope to high temperatures, humidity, or dust; otherwise, it may cause condensation, mold growth, or contamination of the optical parts.
10. Do not touch the lens surfaces with your fingers. Use a brush and special lens-cleaning solution to keep the lenses clean.
11. Bulb installation. This microscope employs LED bulbs as a light source. The bulbs should be replaced by the equipment vendor or in a qualified service center. If you replace the LED yourself, the illumination function may be impaired.

# CONTENTS

<b>1 DESCRIPTION OF THE MICROSCOPE</b>	<b>5</b>
Purpose	5
Specifications	5
Microscope kit	6
<b>2 MICROSCOPE PARTS</b>	<b>8</b>
Stand and base with transmitted light illuminator	8
Focusing mechanism	8
Microscope head	8
Objectives and eyepieces	8
Reflected light illuminator	9
<b>3 UNPACKING AND ASSEMBLING THE MICROSCOPE</b>	<b>9</b>
<b>4 OPERATION</b>	<b>10</b>
Switching on the illumination	11
Placing the specimen	11
Focusing on the specimen	11
Adjusting the eyepiece tubes	12
Calculating the total magnification	12
Calculating the field of view	13
<b>5 USING OPTIONAL EQUIPMENT</b>	<b>12</b>
Auxiliary objective lenses	13
Using the eyepiece with a scale	13
Using the camera	14
Using the calibration slide with a camera	14
<b>6 TROUBLESHOOTING</b>	<b>14</b>
<b>7 SCOPE OF DELIVERY</b>	<b>15</b>
<b>8 CARE AND MAINTENANCE</b>	<b>16</b>
Replacing the fuse	18
Replacing the bulb	18
Maintenance	18
<b>9 MAGUS WARRANTY</b>	<b>17</b>

MAGUS Stereo 7B Stereomicroscope has been designed and tested in accordance with the international safety standards. If properly used, the microscope is safe for the customer's health, life, property, and the environment. Proper maintenance of the microscope is a prerequisite for its reliable and safe operation.

# 1 DESCRIPTION OF THE MICROSCOPE

## PURPOSE

The microscope is used for observing three-dimensional transparent and opaque objects and performing accurate operations, such as dissection in biology, studying rock samples in mineralogy, process operations in a semiconductor industry, as well as in other fields of science and technology.

The microscope is used in biomedical laboratories, biotechnology, material science, pharmaceutical research, agriculture, environmental studies, and forensics. The microscope is suitable for scientific purposes, laboratory diagnosis, and education.

## SPECIFICATIONS (TABLE 1)

Magnification, x	6.7–45 (3.4–270)*
Zoom objective lens, magnification, x	0.67–4.5
Zoom ratio	6.7:1
Working distance, mm	105 (177, 47, 26)*
Field of view, mm	32.8–4.9 (65.7–0.9)*
Microscope head	Binocular 360° rotatable, lockable in any desired position. 45° inclined Interpupillary distance: 54–75mm. Eyepiece diameter: 30mm.
Eyepieces, x/field, mm	10x/22mm, eye relief *10x/22mm with a scale, *15x/16mm, *20x/12mm, *25x/9mm, *30x/8mm Diopter adjustment (each barrel): ±5 dp
Focusing mechanism	Coaxial coarse focusing knobs on both sides Focusing range: 106mm Coarse focusing tension adjusting knob
Transmitted light source	3W LED with adjustable brightness
Reflected light source	Oblique illumination – 3W LED with adjustable brightness
Stage plate	black-and-white plate Ø95mm frosted glass plate Ø95mm
Auxiliary objective lens, x	0,5**, 1,5**, 2**
AC power supply	
Voltage	115–230V
Frequency	50/60 Hz
Operating temperature range	0... +40°C
Operating humidity range	20...85%
Dimensions without package (WxHxD)	238mm×340mm×285mm
Package dimensions (WxHxD)	360mm×360mm×510mm
Weight without package	4.6kg
Weight with package	6.3kg

\* The magnification of the microscope can be increased by using optional eyepieces and auxiliary objective lenses.

\*\* Not included in the kit, available on request.

The manufacturer reserves the right to make changes to the product range and specifications without prior notice.

## MICROSCOPE KIT

The microscope kit includes the following main components:

- base with integrated transmitted light source and power supply unit
- stand with focusing mechanism
- microscope head – objective part and eyepiece tubes
- 10x/22mm eyepiece with eye relief and diopter adjustment (2 pcs)
- black-and-white plate, frosted glass plate
- reflected light oblique illuminator
- power cord
- dust cover
- user manual and warranty card.

See Section 7 of the User manual for a full kit contents.

Upon special request, the microscope may be supplied with various accessories that are not included in the standard delivery and expand the opportunities for microscopy-based research.

Optional accessories:

- 15x/16mm, 20x/12mm, 25x/9mm, 30x/8mm eyepieces, 10x/22mm eyepiece with a scale
- 0.5x, 1.5x and 2x auxiliary objective lenses
- polarizer/analyzer set
- darkfield condenser
- ring light
- ring light with polarizing filter
- ring light with sector control
- gooseneck light
- mechanical stage
- universal stand with focusing mechanism
- gem clip
- digital camera
- calibration slide.

The general view of the microscope is given in Fig. 1.

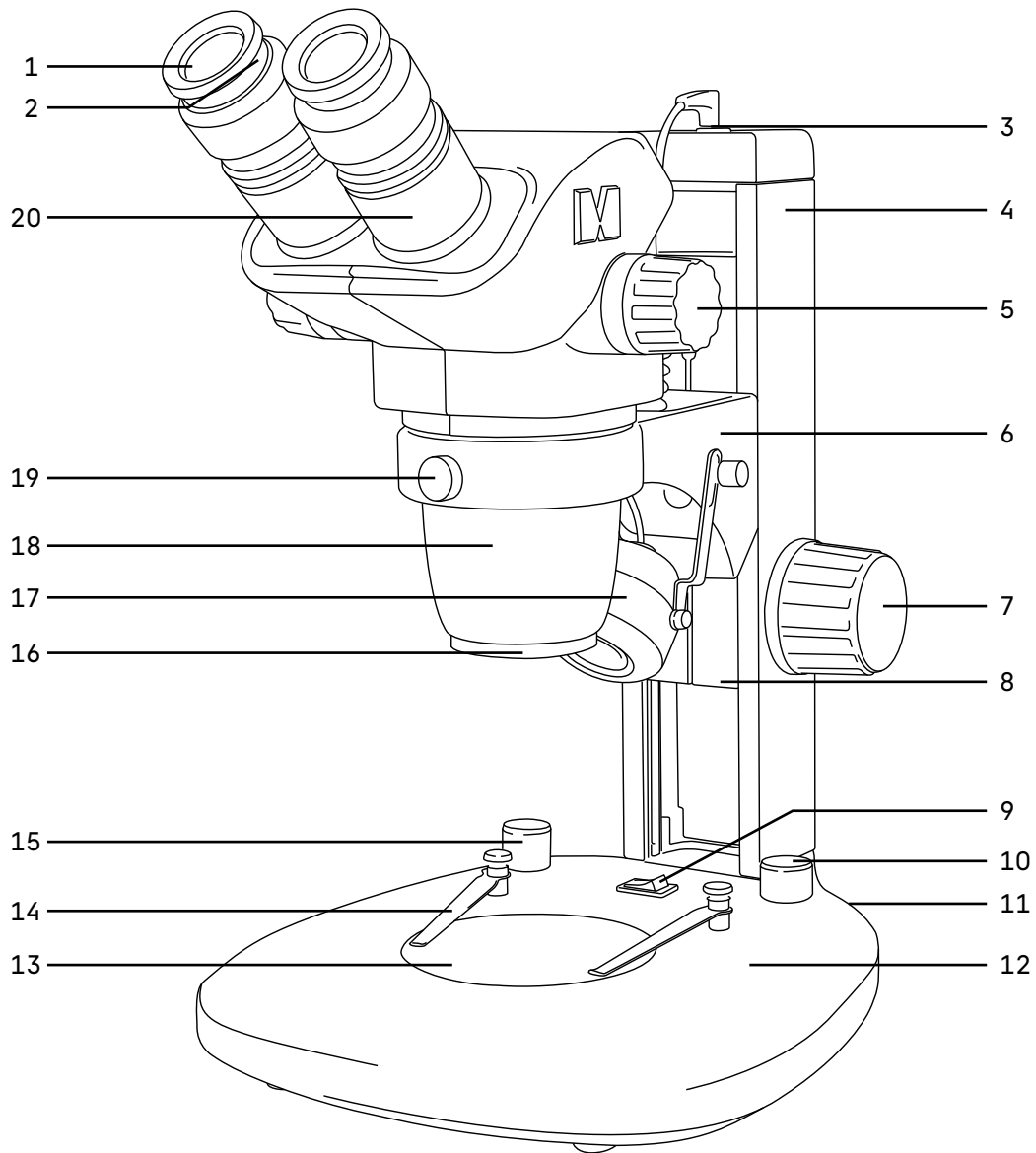


Fig. 1. MAGUS Stereo 7B Microscope

- |  |  |
|--|--|
| 1. Eyepieces                                     | 11. Power cord connector                       |
| 2. Diopter adjustment (each barrel)              | 12. Base                                       |
| 3. Reflected light illumination socket           | 13. Stage plate                                |
| 4. Stand   | 14. Specimen holders                           |
| 5. Zoom knob                                     | 15. Reflected light brightness adjustment knob |
| 6. Microscope head mount                         | 16. Objective cap                              |
| 7. Coarse focusing knob                          | 17. Reflected light illuminator                |
| 8. Focusing mechanism                            | 18. Objective part                             |
| 9. ON/OFF switch                                 | 19. Microscope head fixing screw               |
| 10. Transmitted light brightness adjustment knob | 20. Eyepiece tubes                             |

## 2 MICROSCOPE PARTS

### STAND AND BASE WITH TRANSMITTED LIGHT ILLUMINATOR

The stand **4** (Fig.1) is mounted on the base **12** (Fig. 1). The stand is not removable.

Inside the stand is the focusing mechanism **8** (Fig. 1), on which the microscope head mount **6** (Fig. 1) is fixed. On top of the stand is the reflected light illumination socket **3** (Fig. 1).

The base **12** (Fig. 1) houses a power supply unit and a transmitted light LED. The stage plate **13** (Fig. 1) provides light scattering and uniform illumination of the entire surface of the specimen. The switch **9** (Fig. 1) is used to switch the light source on and off.

The brightness of the reflected light illuminator is adjusted using the knob **15** (Fig. 1), transmitted light brightness – using the knob **10** (Fig. 1).

The base also serves as a stage. The specimen is placed on the stage plate **13** (Fig. 1). The stage plate is inserted in the base opening. The diameter of the plate is 95mm.

The specimen can be fixed on the plate by two holders **14** (Fig. 1).

### FOCUSING MECHANISM

The focusing mechanism **8** (Fig. 1) moves in the stand **4** (Fig. 1), bringing the specimen into focus in accordance with the specimen height and the working distance of the objective.

The microscope head mount **6** (Fig. 1) is secured on the focusing mechanism. The total vertical travel range is 106mm.

The microscope head is installed on top of the mount and secured by the fixing screw **19** (Fig. 1). The microscope head can be turned sideways in the mount and fixed in any desired position.

### MICROSCOPE HEAD

The microscope head combines eyepiece tubes and a zoom objective lens into a single piece.

The eyepieces **1** (Fig. 1) are mounted in the eyepiece tubes **20** (Fig. 1) of the microscope head. The tubes are adjusted to the observer's interpupillary distance, ranging from 54 to 75 mm.

To mount the camera (video eyepiece), remove the standard eyepiece, install the 23.2-30 mm adapter ring into the eyepiece tube **20** (Fig. 1), and then insert the C-mount adapter into it. Connect the camera to the adapter. The camera is used to transmit the image to a computer screen or monitor/TV.

### OBJECTIVES AND EYEPIECES

The zoom objective lens **18** (Fig. 1) has 0.67–4.5x magnification and allows for smooth change of magnification up to 6.7 times with no loss of quality and maintaining a large working distance of 105mm.

The microscope magnification is changed by rotating the knob **5** (Fig. 1).

The 10x eyepieces have a linear field of view of 22mm (WF 10x/22). Each eyepiece has a diopter adjustment **2** (Fig. 1). The eyepiece tubes have a secure eyepiece mount design that prevents the eyepieces from accidentally falling out when the microscope is moved. The eyepieces are fixed in the tubes by screws.

Eyepieces with 15x; 20x, 25x, 30x magnification and a 10x eyepiece with a scale are optional. Different eyepieces change the total magnification and field of view. The working distance does not change when eyepieces are changed.

The microscope can also be fitted with 0.5x, 1.5x and 2.0x auxiliary objective lenses. The auxiliary objective lens changes the microscope's working distance, total magnification, and field of view.

The specifications of the microscope (magnification, field of view, working distance) equipped with various auxiliary objective lenses and 10x/22m eyepiece are given in Table 2.



Table 2:

Objective	Objective magnification, x	Magnification, x	Field of view, mm	Working distance, mm
Basic configuration	0.67–4.5	6.7–45	32.8–4.9	105
0.5x auxiliary objective lens	0.34–2.25	3.3–22.5	65.6–9.7	177
1.5x auxiliary objective lens	1–6.75	10–67.5	21.8–3.2	47
2x auxiliary objective lens	1.34–9	13.4–90	16.4–2.4	26

## REFLECTED LIGHT ILLUMINATOR

The microscope is designed to be fitted with one of two reflected light illuminators or both: a ring light for shadow-free lighting and an oblique illuminator.

The oblique illuminator **17** (Fig. 1) is fixed in the microscope head mount. The illuminator cord is plugged in the socket **3** (Fig. 1).

The ring light is secured to the objective part with three screws. It connects to the AC power supply through a separate power supply unit independent of the microscope. The ring light is not included in the standard scope of delivery and should be purchased separately.

If necessary, additional reflected light devices can be used: gooseneck spotlights (not included in the standard delivery).

## 3 UNPACKING AND ASSEMBLING THE MICROSCOPE

- Remove the microscope from the package.
- Check the scope of delivery using Section 7 of the User Manual.
- Place the microscope base on the flat surface.
- Insert the stage plate **13** (Fig. 1). To observe transparent objects, use a glass plate. To observe opaque objects, use a black-and-white plate. To increase contrast, the white side of the plate is used for dark-colored objects, while the black side is for light-colored objects.
- Install the specimen holders **14** (Fig. 1).
- Install the microscope head in the ring of the mount **6** (Fig. 1). Secure the microscope head by the fixing screw **19** (Fig. 1). Do not overtighten the screw.
- The eyepieces have a diopter adjustment. Rotate the diopter ring of both eyepieces to adjust the "0" on its scale to the indicator "." on the eyepiece body. Insert the eyepieces into the tubes until they are fully seated. Secure with the screws. When installing or removing the eyepiece, hold the eyepiece body rather than the diopter ring.
- Set the brightness adjustment knobs **10** and **15** (Fig. 1) to the minimum position.
- Plug the power cord to the connector on the back of the microscope. Plug the power cord into an AC outlet.
- Make sure that all the components are securely and safely mounted.
- Check and sort the supplied accessories and tools in the correct order. Keep them in proper order to avoid confusion.

## 4 OPERATION

### SWITCHING ON THE ILLUMINATION

Before switching on the ON/OFF switch, make sure that the input voltage of the microscope power supply matches the local mains voltage. If not, do not switch on the microscope. Improper input voltage may result in a short circuit or fire.

Make sure that the power cord is plugged into the connector on the back panel of the microscope stand.

Turn the ON/OFF switch **3** (Fig. 2) to "-" position (ON). Transmitted light and reflected light illuminators are switched on.

For the reflected light microscopy, the illuminator **2** (Fig. 2) is used, and its light intensity is adjusted by the knob **5** (Fig. 2). For the transmitted light microscopy, the illuminator brightness is adjusted by the knob **4** (Fig. 2).

Before switching off the microscope, rotate the knobs **4** and **5** (Fig. 2) to the minimum.

Use the ring light if you need shadow-free lighting to observe a specimen. The ring light is mounted on the objective **6** (Fig. 2).

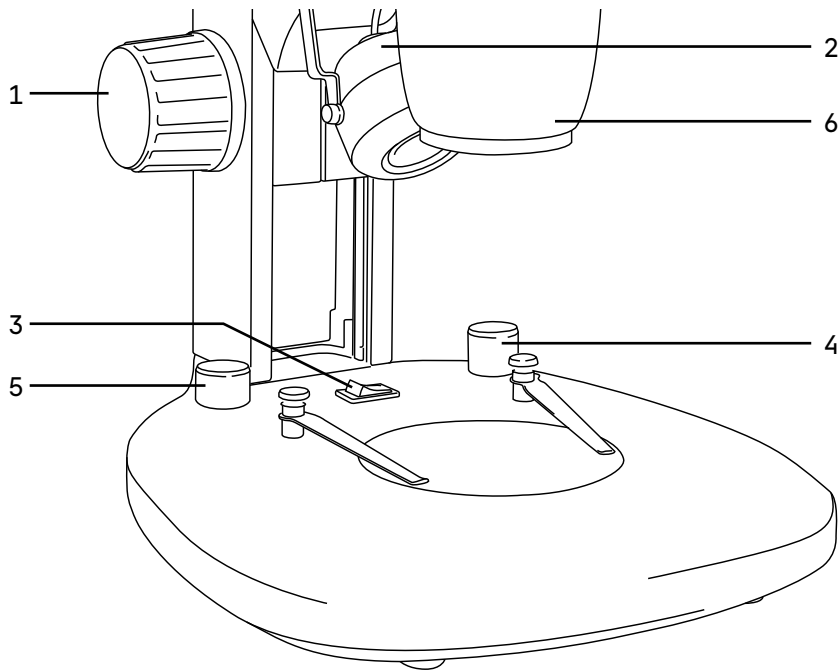


Fig. 2. Switching on the illumination

### PLACING THE SPECIMEN

Choose a frosted glass or opaque (black-and-white) stage plate based on the object to be viewed and the intended research. The frosted glass stage plate is used for observing transparent and translucent objects in the transmitted and reflected light. Opaque objects are studied in reflected light. When observing light-colored objects, you should use the black side of the stage plate. When observing dark-colored objects, use the white side.

Insert the stage plate into the opening in the base.

Place the specimen on the stage plate. Secure it with the specimen holders as necessary. Position the specimen so that the examined part is in the center of the stage plate, i.e. in the optical path.

## FOCUSING ON THE SPECIMEN

Set the minimum magnification of the 0.67x objective by rotating the zoom knob 5 (Fig. 1). The zoom knobs are on both sides of the microscope head.

Rotate the knobs 1 (Fig. 2) to move the focusing mechanism so that the distance between the specimen and the objective approximately corresponds to the working distance of the objective according to the specifications given in Table 2.

While looking through the right eyepiece (with your left eye closed), rotate the focusing knobs slowly to bring the specimen into focus.

With properly adjusted tension, the microscope head does not lower under its own weight. If you need to adjust the tension of the coarse focusing, hold the left coarse focusing knob 1 (Fig. 2) with one hand and rotate the right knob with the other hand to adjust the tension. By rotating it counter-clockwise, you loosen the tension, and by rotating it clockwise, you tighten it. Too high a tension can cause inconvenience in the operation.

## ADJUSTING THE EYEPIECE TUBES

Use the eyepiece diopter adjustment to compensate for the observer's ametropia. Start by setting the diopter adjustment on both eyepieces to the zero. To do this, rotate the ring 2 (Fig. 3) to adjust "0" to the indicator "." on the eyepiece body.

While looking through the right eyepiece (with your left eye closed), bring the specimen into focus. While looking through the left eyepiece (with your right eye closed) and not touching the focusing knobs, bring the specimen into sharp focus in the left eyepiece by rotating the diopter adjustment ring 2 (Fig. 3).

The adjustment range is  $\pm 5$  diopters. The number on the ring corresponds to the diopter adjustment of the eyes. The indicator on the side is used for marking.

We recommend memorizing your diopter adjustment value for future reference.

Adjust the distance between the eyepieces to your interpupillary distance by moving the eyepiece tubes closer or further apart until you see a single circular image when looking through the eyepieces with both eyes.

Set the zoom knob 3 (Fig. 3) to the maximum magnification: 4.5. Bring the specimen into focus and adjust the diopter settings on both eyepieces. Set the zoom knob to the minimum magnification: 0.67. Re-focus and re-adjust the eyepiece diopter settings. Return to the high magnification. With proper diopter adjustment, there will be little or no loss of focus when the lens magnification is changed.

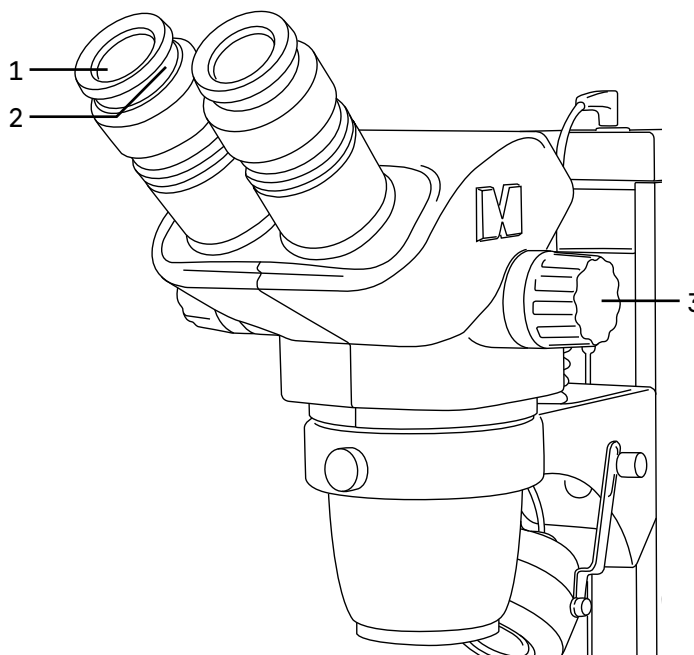


Fig. 3. Adjusting the eyepiece tubes

## CALCULATING THE TOTAL MAGNIFICATION

The total magnification is the eyepiece power multiplied by the objective power. The objective magnification corresponds to the number on the knob 3 (Fig. 3) located opposite the line. You should also consider the magnification of the auxiliary objective lens, if you use it.

The microscope magnifications in the objective end positions using the 10x/22mm eyepiece and various auxiliary objective lenses are given in Table 2.

## CALCULATING THE FIELD OF VIEW

The field of view is calculated by dividing the eyepiece field number by the objective magnification. You should also consider the magnification of the auxiliary objective lens, if you use it.

The microscope field of view in the objective end positions using the 10x/22mm eyepiece and various auxiliary objective lenses is given in Table 2.

A stage micrometer (calibration slide) is used to accurately determine the field of view of the microscope.

# 5 USING OPTIONAL EQUIPMENT

## AUXILIARY OBJECTIVE LENSES

Screw the required objective lens 18 (Fig. 1) into the thread of the objective part. The 0.5x reducing objective lens increases the working distance and field of view.

The 1.5x and 2x magnifying objective lenses reduce the working distance and field of view.

## USING THE EYEPIECE WITH A SCALE

The eyepiece with a scale can be used to make comparative analysis of the linear dimensions of the individual components of an object. The scale is installed in the plane of the field diaphragm of the 10x eyepiece. The eyepiece with a scale is installed in the tube in place of the eyepiece of your microscope.

You should use a special stage micrometer (calibration slide) to determine the linear dimensions (in millimeters or microns).

The calibration slide is a transparent glass with a micrometer scale etched on the surface. Stereo microscopes use special scales with a scale value of 0.05mm, 0.1mm, and 0.5mm.

Place the calibration slide on the stage instead of the specimen with the scaled side facing up. Using the scale of the calibration slide, calibrate the eyepiece scale for each magnification that will be used for measurements.

To do this, bring the image focus of the calibration slide scale into sharp focus in the plane of the eyepiece scale and rotate the eyepiece in the tube, setting the strokes of both scales in parallel. Determine how many divisions of the calibration slide fit in the eyepiece scale (with the high magnification objective) or how many divisions of the eyepiece scale are covered by the entire calibration slide (with the low magnification objective).

Work out the value for one eyepiece division using each objective by formula  $E=TL/A$ , where:

E – eyepiece division value

T – stage division value specified on the stage micrometer

L – number of stage micrometer divisions

A – number of eyepiece divisions.

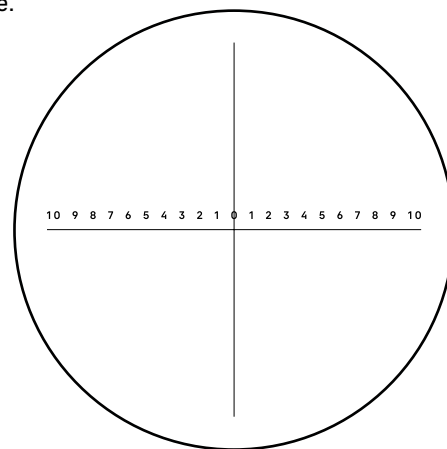


Fig. 4. Calibration slide

We recommend entering the obtained data in a size chart:

Objective magnification	Eye-piece division value
0.67	
1	
2	
3	
4	
4.5	

Using these data to determine the actual linear size of the specimen, you just need to count the number of divisions of the eyepiece scale aligned with the area of the specimen being measured, and multiply this number by the scale division value specified in this table.

## USING THE CAMERA

The microscope is designed to observe a specimen through the eyepieces and to photograph the specimen.

It is important that you choose a proper camera to solve specific tasks with the microscope: displaying the image viewed through the microscope on a computer screen or monitor in real time, taking pictures or shooting a video, saving data to create a database, demonstrating visual content or live streaming. You should pay attention to the camera's pixel size and sensor size, resolution, and data rate. The wrong camera will not allow taking good quality pictures, which will distort the results of the observation.

To mount a camera:

- Remove the eyepiece **1** from the eyepiece tube.
- Connect the camera to the C-mount adapter and the adapter ring.
- Mount the camera into the eyepiece tube **2**.
- Switch on the camera according to the manual and adjust the image.
- If the image is blurred, adjust the focus using the ring on the tube to ensure an accurate and sharp image.

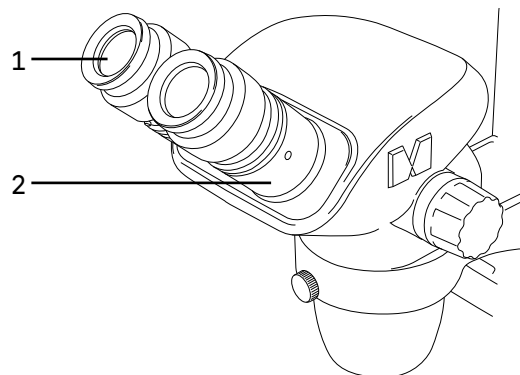


Fig. 5. Mounting a camera

## USING THE CALIBRATION SLIDE WITH A CAMERA

The calibration slide (stage micrometer) is used to calibrate the image analysis software for measurements in actual units. In the calibration mode, you should capture an image of the micrometer scale with every objective magnification and indicate the known distance. That lets you establish a scale of the image in actual units (micrometer, millimeter, etc.).

Calibration:

1. Place the calibration slide on the microscope stage.
2. Select the objective magnification and set the maximum camera resolution.
3. Get a contrast image of the scale on the monitor screen and capture the image.
4. Select the 'Calibrate' function in the software you are using.
5. Double-click on the maximum visible distance and enter the value in actual units.
6. Enter the calibration setting and check the result. The program will save the calibration factor.
7. You can select any measurement unit later, and all the results will be re-calculated in accordance with this selection.

## 6 TROUBLESHOOTING

Potential problems and remedies are given in Table 3:

Problem	Cause	Remedy
<b>ELECTRICAL COMPONENTS</b>		
No illumination in the field of view	The ON/OFF switch is off	Switch on the ON/OFF switch
	The fuse has blown	Replace the fuse
	The LED is burned out	Have the LED replaced in the service center by a qualified electronics technician
	The circuit board connector has poor contact	Have the connector repaired by a qualified electronics technician
<b>OPTICS AND IMAGE REPRODUCTION</b>		
Vignetting or sharp drop in illumination at the edges of the field of view; uneven illumination	There is dirt on the eyepiece	Remove dirt
Dirt and dust are visible in the field of view	There is dirt on the eyepiece	Remove dirt
	There is dirt on the stage plate	Remove dirt
The specimen image in two eyepieces does not coincide which leads to eye strain	The eyepiece tubes are not properly adjusted to the observer's interpupillary distance; no diopter adjustment has been performed during focusing	Adjust the microscope head
<b>MECHANICAL COMPONENTS</b>		
The image does not remain sharp during observation	The focusing mechanism is loosened which causes the microscope head to lower spontaneously under its own weight	Adjust the coarse focusing tension adjusting knob

## 7 SCOPE OF DELIVERY

Table 4

Component	Pcs	Note
Base with light source and power supply, stand with focusing mechanism	1	
Microscope head – objective part and eyepiece tubes	1	
10x/22mm eyepiece with eye relief and diopter adjustment	2	
10x/22mm eyepiece with a scale	1	Optional
15x/16mm eyepiece	2	Optional
20x/12mm eyepiece	2	Optional
25x/9mm eyepiece	2	Optional
30x/8mm eyepiece	2	Optional
0.5x auxiliary objective lens	1	Optional
1.5x auxiliary objective lens	1	Optional
2x auxiliary objective lens	1	Optional
Polarizer/analyzer set	1	Optional
Darkfield condenser	1	Optional
Black-and-white plate	1	
Frosted glass plate	1	
Reflected light oblique illuminator	1	
Transmitted light LED illuminator	1	Built into the base
Ring light	1	Optional
Ring light polarizer	1	Optional
Ring light with sector control	1	Optional
Gooseneck light	1	Optional
Mechanical stage	1	Optional
Gem clip	1	Optional
Digital camera	1	Optional
Calibration slide	1	Optional
23.2–30 mm adapter ring for camera connection	1	Optional
C-mount camera adapter	1	Optional
Power cord	1	
Fuse	1	
Dust cover	1	
User manual	1	

## 8 CARE AND MAINTENANCE

### REPLACING THE FUSE

The fuse is located in the power cord socket of the microscope base. Before replacing the fuse, switch off the power supply, and unplug the power cord from the power outlet. Remove the power cord from the connector to access the fuse socket. Using a flathead screwdriver, remove the fuse socket, replace the fuse, and re-install the socket. Plug the power cord and turn on the ON/OFF switch to check that the fuse is working.

### REPLACING THE BULB

This microscope employs LED bulbs as a light source.

The bulbs should be replaced by the equipment vendor or in a qualified service center. If you replace the LED yourself, the illumination function may be impaired.

### MAINTENANCE

1. Once you have finished using the microscope, switch off the power supply. When not using the microscope for a long time, switch off the power supply.
2. The microscope should be kept clean. Remove any residue of oil from the lenses, clean the microscope body with gauze cloth (silk or cotton cloth) moistened with a small amount of alcohol. Do not install the dust cover unless the microscope is completely cooled down and dry.

3. Cleaning lenses:

Remove dust from the lenses with a soft brush.

Significant contamination can be removed using a soft cloth moistened with a small amount of a mixture of alcohol and ethyl ether (mixture proportion: 20–30% alcohol and 70–80% ethyl ether) or special O-xylene solution. Wipe the lenses from the center outward.

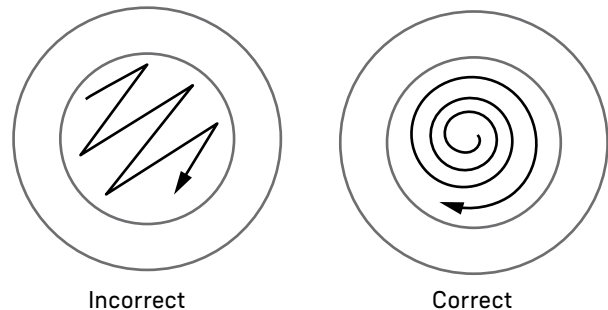


Fig. 6. Cleaning lenses

4. Cleaning the surfaces: wipe with a clean soft cloth; significant contamination can be wiped off with a neutral detergent.

**Do not wipe the microscope stand with any organic solvent (e.g., alcohol, ethyl ether or its diluted solution). This may cause damage to the coating of the microscope stand surface.**

5. Storage: when not using the microscope for a long time, switch off the power, wait for the lamp to cool down, cover the microscope with a dust cover, store the microscope in a dry, ventilated and clean place, with no exposure to acids, alkalis, or steam, otherwise mold may form on the lenses.

**It is recommended to apply a layer of rust-preventive coating to the moving parts of the microscope.**

6. Periodic inspection: the microscope should be regularly inspected and serviced to maintain its performance.



## 9 MAGUS WARRANTY

MAGUS provides a **5-year international warranty** from date of purchase (valid for the entire life of the instrument). The Levenhuk company warrants the product to be free from defects in materials and workmanship. The Seller warrants that the MAGUS product you have purchased meets specification requirements, provided that the Buyer complies with terms and conditions of transport, storage, and operation of the product. The warranty period for accessories is **6 (six) months** from the date of purchase.

For more information on warranty terms and conditions, see [www.magusmicro.com](http://www.magusmicro.com)

For warranty service, please contact your nearest Levenhuk representative office.



**MAGUS**

OBJECTIVE EXCELLENCE

[www.magusmicro.com](http://www.magusmicro.com)